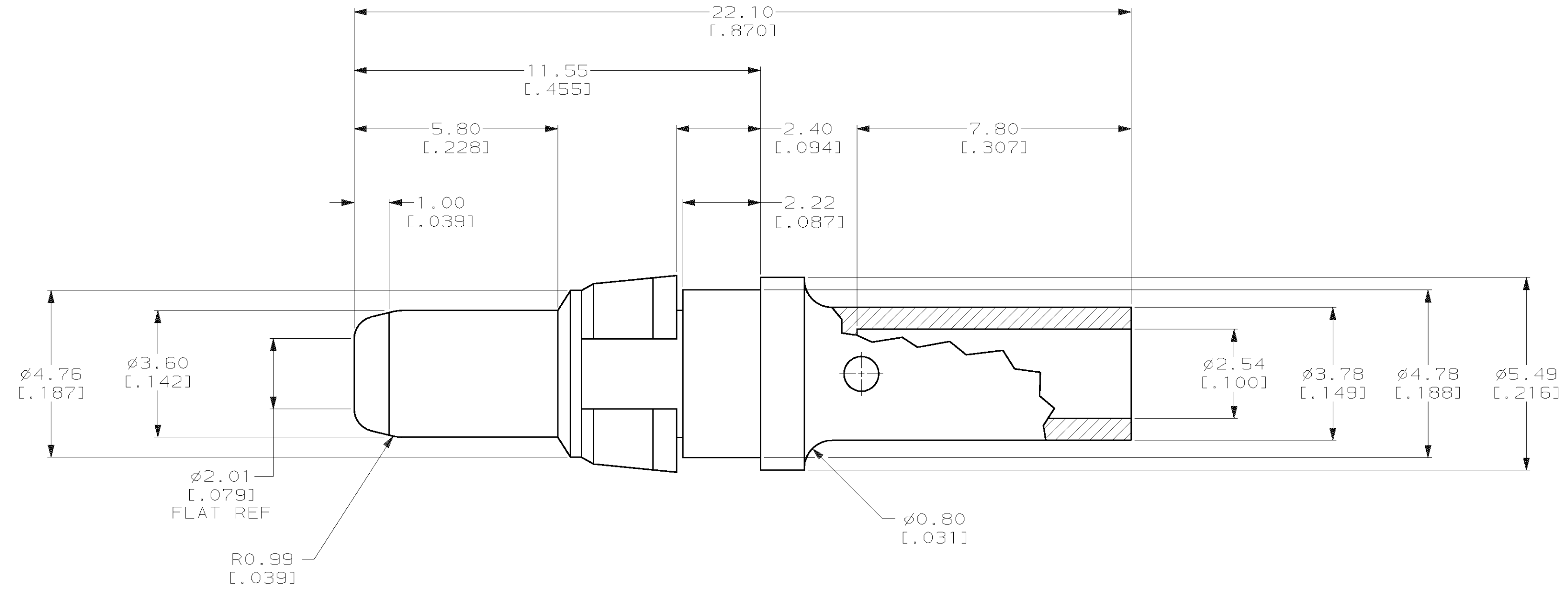


THIS DRAWING IS UNPUBLISHED. RELEASED FOR PUBLICATION  
 BY AMP INCORPORATED. ALL RIGHTS RESERVED.

| LOC | DIST | REVISIONS |     |                             |           |     |      |
|-----|------|-----------|-----|-----------------------------|-----------|-----|------|
|     |      | P         | LTR | DESCRIPTION                 | DATE      | DWN | APVD |
| AD  | 25   |           |     |                             |           |     |      |
|     |      | C         |     | REDRAWN PER EC 0U1B-0034-00 | 22 MAR 00 | -   | -    |
|     |      | D         |     | REV PER EC 0U1B-0221-01     | 08 NOV 01 | BC  | CR   |



- 1 CONTACT: BRASS.  
RETAINING RING: BERYLLIUM COPPER.
- 2 CONTACT: 0.76µm [.000030] MIN GOLD  
OVER 1.27µm [.000050] MIN NICKEL.
- 3. WIRE BARREL WILL ACCEPT 12-14 AWG WIRE.
- 4. MATES WITH 148221-1.
- 5. RECOMMENDED CRIMPING TOOL: DANIELS TOOL  
#M300-BT, POSITIONER PART NUMBER SP689,  
SETTING #1, STRIP LENGTH 8.13 [.320].

148248-1  
 PART NUMBER

|   |   |              |            |           |   |
|---|---|--------------|------------|-----------|---|
| THIS DRAWING IS A CONTROLLED DOCUMENT.  |   | DWN          | B. CARBO   | 22 MAR 00 | AMP Incorporated<br>Harrisburg, PA 17105-3608 |
| DIMENSIONS:   |   | CHK          | C. RICHARD | 22 MAR 00 |   |
| mm [INCHES]   |   | APVD         | C. RICHARD | 22 MAR 00 |   |
| TOLERANCES UNLESS OTHERWISE SPECIFIED:<br>0 PLC ±-<br>1 PLC ±-<br>2 PLC ±0.13 [.005]<br>3 PLC ±-<br>4 PLC ±-<br>ANGLES ±- |   | PRODUCT SPEC | NAME       |           |   |
| MATERIAL  | 1 | FINISH       | 2          | WEIGHT    | -   |
| CUSTOMER DRAWING  |   | SCALE        | 10:1       | SHEET     | 1 OF 1  |

148248